

# T3

15-16-18-20



# GOOCAGE



RENAULT MAXITY

IVECO DAILY

NISSAN CABSTAR

# T315



14,50 m



225 kg



IDRAULIC  
HYDRAULIC  
HYDRAULIQUES  
HIDRAULICOS  
HYDRAULISCHE



12,50 m



1400x700x1100  
mm



H + H



9,10 m



ALLUMINIO  
ALUMINIUM  
ALUMINIUM  
ALUMINIO  
ALUMINIUM

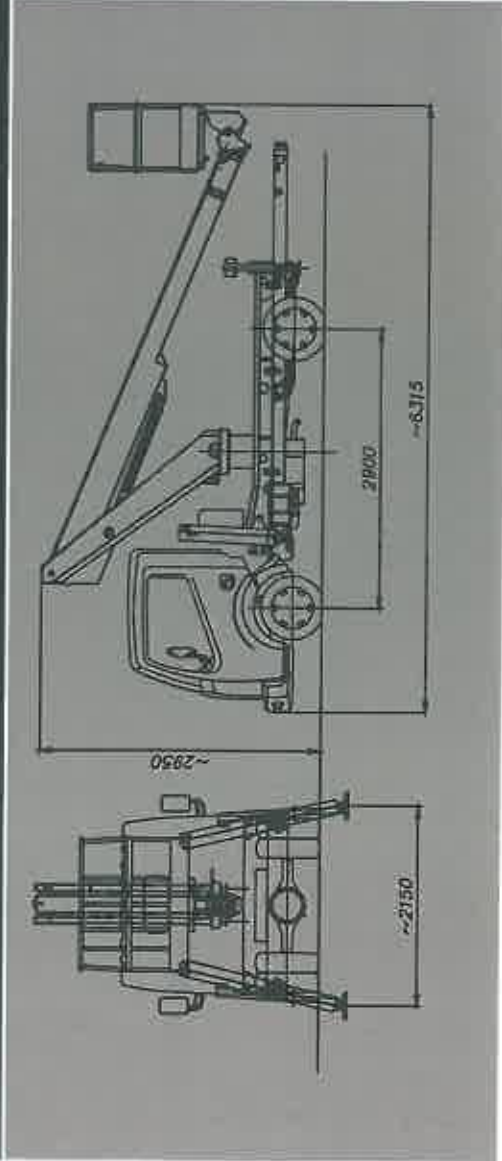
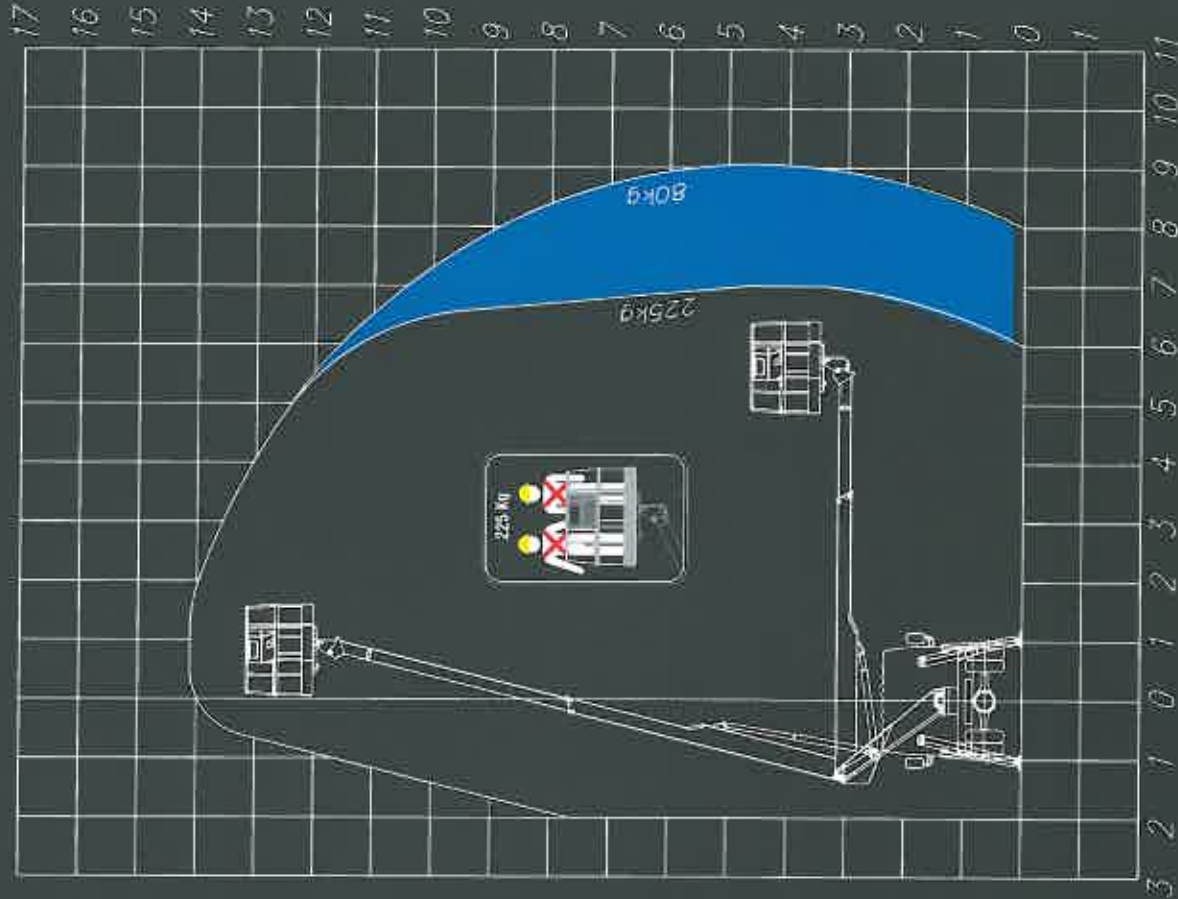


3,5 T



CONTINUA  
CONTINUOUS  
CONTINUE  
CONTINUA  
ENDLOS

90° + 90°





RENAULT MAXITY

IVECO DAILY

NISSAN CABSTAR



# T318



18,00 m



225 kg



IDRAULICI  
HYDRAULIC  
HYDRAULIQUES  
HIDRAULICOS  
HYDRAULISCHE



16,00m



1400x700x100  
mm



ME + H



10,00 m



ALLUMINIO  
ALUMINIUM  
ALUMINIO  
ALUMINIUM

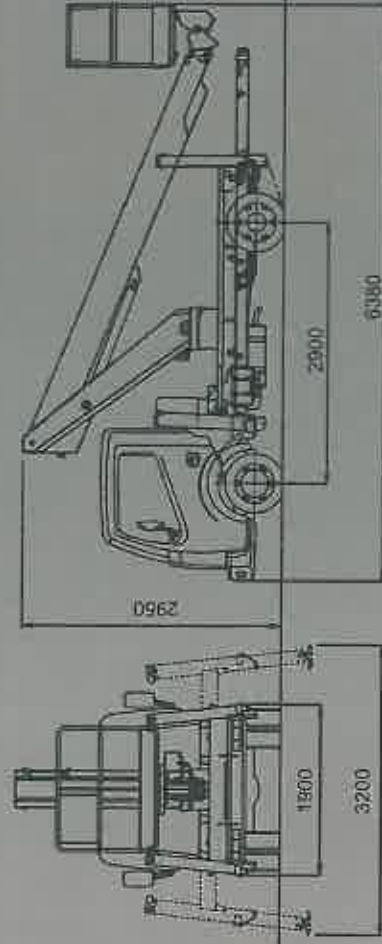
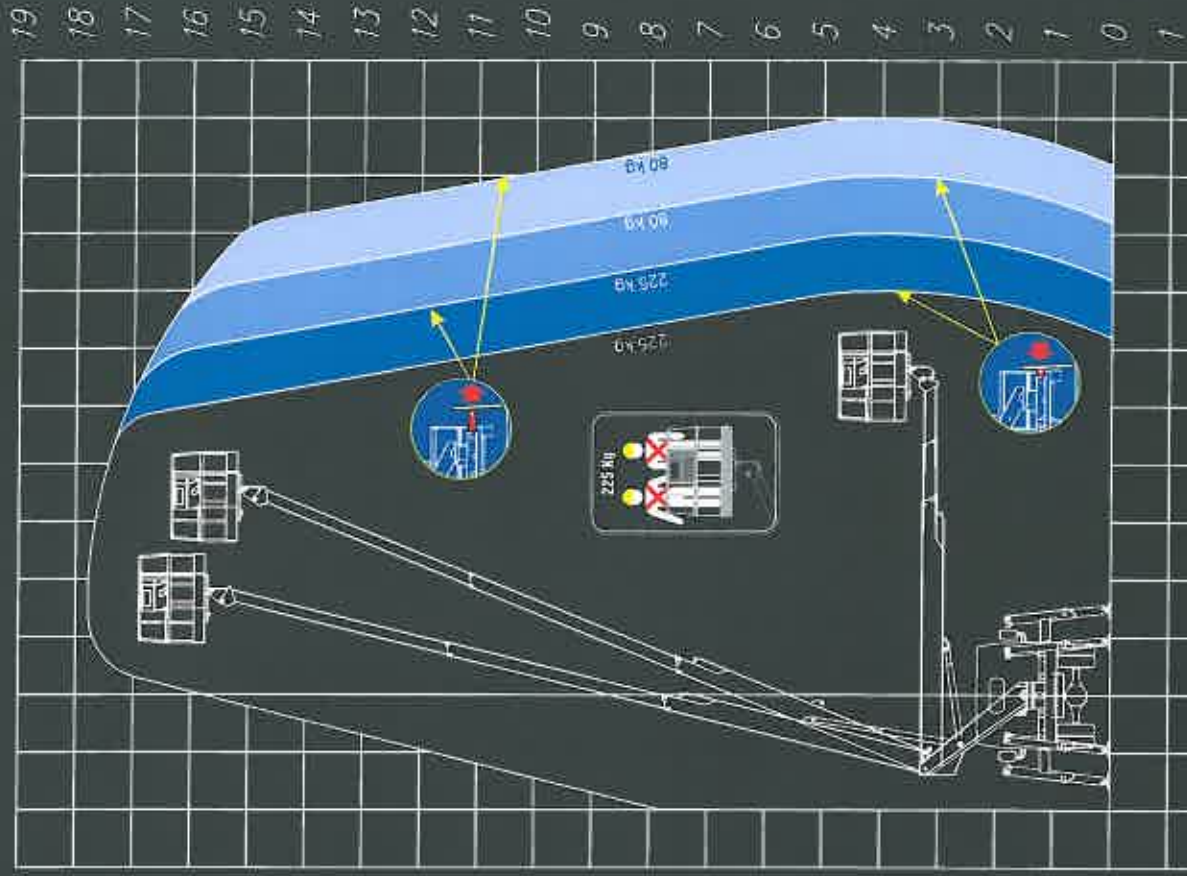


3,5 T



CONTINUA  
CONTINUOUS  
CONTINUE  
CONTINUA  
ENDLOS

90° + 90°





RENAULT MAXITY

IVECO DAILY

NISSAN CABSTAR

SODAGE

18 TON

SODAGE



# TH 20



20,00 m



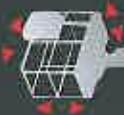
225 kg



IDRAULICI  
HYDRAULIC  
HYDRAULIQUES  
HYDRAULICOS  
HYDRAULISCHE



18,00m



1400x700x1100  
mm



ME + H



11,00 m



ALLUMINIO  
ALUMINIUM  
ALUMINIUM  
ALUMINIO  
ALUMINIUM

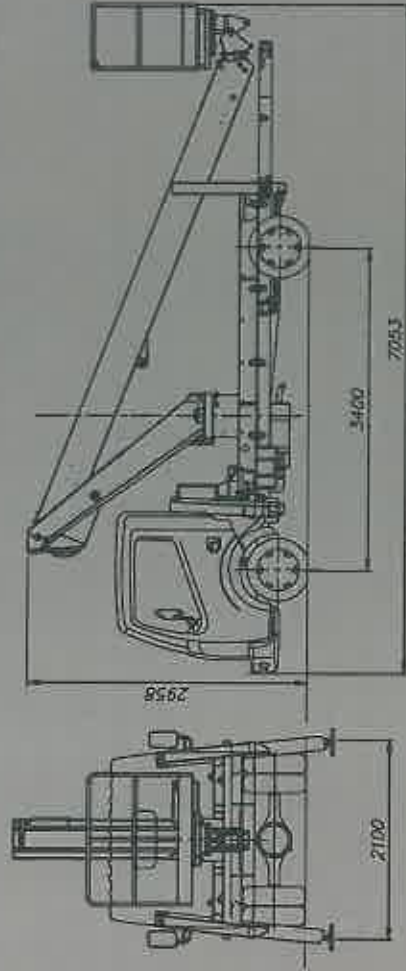
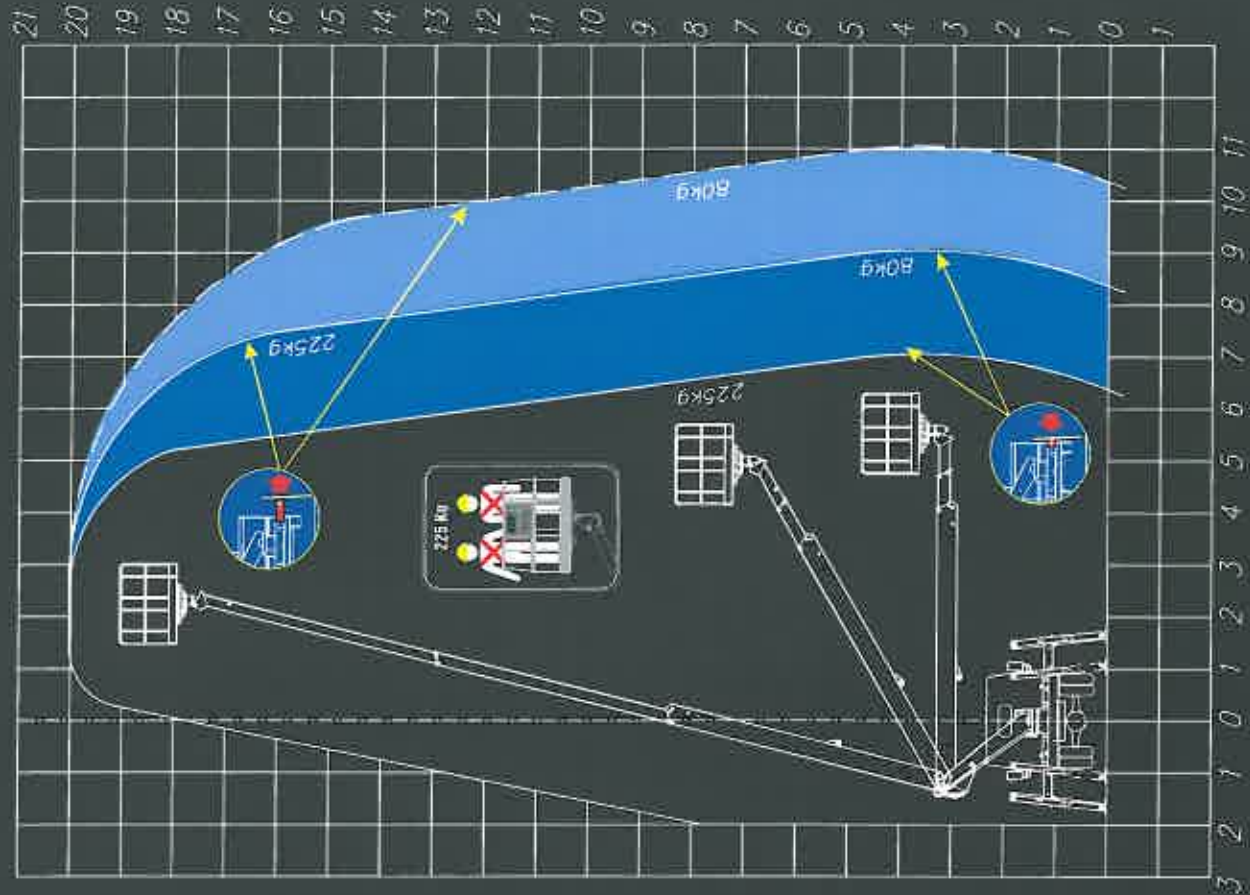


3,5 T



CONTINUA  
CONTINUOUS  
CONTINUE  
CONTINUA  
ENDLOS

90° + 90°







# Equipaggiamento/Equipment/Ausrüstung/Équipements/Equipao

Modello/Model/Modell/Modèle/Modelo	1000	1100	1200	1300
Anemometro - Anemometer - Anemómetro - Windmesser	<input checked="" type="checkbox"/>	<input checked="" type="checkbox"/>	<input checked="" type="checkbox"/>	<input checked="" type="checkbox"/>
Barra parafuata - Under-run - Barre anti-encastrement - Barra anti-intrusione - Unterflurbohrloch	<input checked="" type="checkbox"/>	<input checked="" type="checkbox"/>	<input checked="" type="checkbox"/>	<input checked="" type="checkbox"/>
Bavole porta aerei - Tool box - Coffre porte-outils - Caja herramientas - Kastenwerkzeug	<input checked="" type="checkbox"/>	<input checked="" type="checkbox"/>	<input checked="" type="checkbox"/>	<input checked="" type="checkbox"/>
Cestello in polietilene - Polyethylene basket - Pajar en polietileno - Caja en polietileno - Polythylene Korb	<input checked="" type="checkbox"/>	<input checked="" type="checkbox"/>	<input checked="" type="checkbox"/>	<input checked="" type="checkbox"/>
Contatore elettrico - Electric test counter - Heczafeltis - Cuenta horas electrico - Electricer Stundenzähler	<input checked="" type="checkbox"/>	<input checked="" type="checkbox"/>	<input checked="" type="checkbox"/>	<input checked="" type="checkbox"/>
Elettropompa auxiliaria - Auxiliary electric pump - Electropompe auxiliar - Electropomba auxiliar - Sekundär Elektropumpe	<input checked="" type="checkbox"/>	<input checked="" type="checkbox"/>	<input checked="" type="checkbox"/>	<input checked="" type="checkbox"/>
Elettropompa di emergenza 12/24 V - 12/24 V emergency electric pump - Electropompe de secours 12/24 V - Electrobomba de emergencia 12/24V	<input checked="" type="checkbox"/>	<input checked="" type="checkbox"/>	<input checked="" type="checkbox"/>	<input checked="" type="checkbox"/>
Faro orientabile - Rotating lamp - Phare de travail - Foco orientable - Virendelbar Leuchtturm	<input checked="" type="checkbox"/>	<input checked="" type="checkbox"/>	<input checked="" type="checkbox"/>	<input checked="" type="checkbox"/>
Inverter 112 V / 230 V / 50 Hz, 1000 W	<input checked="" type="checkbox"/>	<input checked="" type="checkbox"/>	<input checked="" type="checkbox"/>	<input checked="" type="checkbox"/>
Isolamento cestello 1000 V - 1000 V basket insulation - Isolation 1000 V - Aislamiento cesta 1000 V - Korbisolation	<input checked="" type="checkbox"/>	<input checked="" type="checkbox"/>	<input checked="" type="checkbox"/>	<input checked="" type="checkbox"/>
Limitatore di carico - Load building device - Limiteur de charge dans le sens - Limitador de carga - Lastbegrenzer	<input checked="" type="checkbox"/>	<input checked="" type="checkbox"/>	<input checked="" type="checkbox"/>	<input checked="" type="checkbox"/>
Limitatore di momento - Load moment limiter - Limitador de momento - Moment-Begrenzer	<input checked="" type="checkbox"/>	<input checked="" type="checkbox"/>	<input checked="" type="checkbox"/>	<input checked="" type="checkbox"/>
Multi-area di lavoro - Multi working areas - Multi-cours de travail - Multi-área de trabajo - Multi-Bereichsraum	<input checked="" type="checkbox"/>	<input checked="" type="checkbox"/>	<input checked="" type="checkbox"/>	<input checked="" type="checkbox"/>
Pagine supplementari - Spreader pads - Pages de repartition - Apoyos suplementarios - Zusatzliche Unterlegplatten	<input checked="" type="checkbox"/>	<input checked="" type="checkbox"/>	<input checked="" type="checkbox"/>	<input checked="" type="checkbox"/>
Pompa di emergenza manuale - Manual hand pump - Pompe d'urgence manuelle - Bomba de emergencia manual - Hand-Pumpenagge	<input checked="" type="checkbox"/>	<input checked="" type="checkbox"/>	<input checked="" type="checkbox"/>	<input checked="" type="checkbox"/>
Pressa aria/acqua - Air/water combi-tool - Ligre aere/au - Tapa aere/agua - Luft-/Wasserpumpe	<input checked="" type="checkbox"/>	<input checked="" type="checkbox"/>	<input checked="" type="checkbox"/>	<input checked="" type="checkbox"/>
Pressa elettrica 110/230 V nel cesto - 110/230 V electric socket in the basket - Socke électrique 110/230 V dans le panier - Socke eléctrica 110/230 V en el cesto - 110/230 V Steckdose im Korb/Kasten	<input checked="" type="checkbox"/>	<input checked="" type="checkbox"/>	<input checked="" type="checkbox"/>	<input checked="" type="checkbox"/>
Rotolampada magnetica - Magnetic beacon - Gyrophare magnétique - Señalero luminoso magnético - Magnetisches Blinklicht	<input checked="" type="checkbox"/>	<input checked="" type="checkbox"/>	<input checked="" type="checkbox"/>	<input checked="" type="checkbox"/>
Scambiatore di calore - Heat exchanger - Echangeur thermique - Cambiador de calor - Wärmetauscher	<input checked="" type="checkbox"/>	<input checked="" type="checkbox"/>	<input checked="" type="checkbox"/>	<input checked="" type="checkbox"/>
Segnaportatore acciaccio nel cestello - Marker from the basket - Marqueur depuis le panier - Señalador acciesso en la cesta - Marker vom Aboatskorb	<input checked="" type="checkbox"/>	<input checked="" type="checkbox"/>	<input checked="" type="checkbox"/>	<input checked="" type="checkbox"/>
Sistema anticolpioni cabine/castello - Anti-collapse device between boom and truck cabin - Systeme anticolision cabine et panier - Sistema anticolision cabina/cesta - Antisturzschutz für Kabine/Aboatskorb	<input checked="" type="checkbox"/>	<input checked="" type="checkbox"/>	<input checked="" type="checkbox"/>	<input checked="" type="checkbox"/>
Spandine in alluminio - Aluminium sides - Rides en aluminium - Laterales en aluminio - Aluminium Bibränder	<input checked="" type="checkbox"/>	<input checked="" type="checkbox"/>	<input checked="" type="checkbox"/>	<input checked="" type="checkbox"/>
Stabilizzatore dal cestello - Stabilization from the basket - Stabilisation depuis le panier - Estabilizador de la cesta - Anstabilung aus dem Korb	<input checked="" type="checkbox"/>	<input checked="" type="checkbox"/>	<input checked="" type="checkbox"/>	<input checked="" type="checkbox"/>
Stabilizzatore EASYLIFT - EASYLIFT stabilization system - Stabilisation EASYLIFT - Estabilizador EASYLIFT - EASYLIFT Abschwüung	<input checked="" type="checkbox"/>	<input checked="" type="checkbox"/>	<input checked="" type="checkbox"/>	<input checked="" type="checkbox"/>
Telocomando Radiocomando - Wind/Wireless remote control - Télécommande/Radiocommande - Telemando/telemando - Fernsteuerung	<input checked="" type="checkbox"/>	<input checked="" type="checkbox"/>	<input checked="" type="checkbox"/>	<input checked="" type="checkbox"/>
Telocomando Radiocomando aggiuntivo - Additional wireless remote control - Telemando/Radiocommande supplementaire - Telemando/radiomando adicional - Zusatzfernsteuerung Fernbediensteuerung	<input checked="" type="checkbox"/>	<input checked="" type="checkbox"/>	<input checked="" type="checkbox"/>	<input checked="" type="checkbox"/>
Tubiature interne attorcigliate - Pipes and cables inside the boom - Chemin de cables interne - Trazos en el interior del brazo - In-Armen liegende Leitungen und Kabel	<input checked="" type="checkbox"/>	<input checked="" type="checkbox"/>	<input checked="" type="checkbox"/>	<input checked="" type="checkbox"/>
Valvole di blocco fiangiate - Flanged holding valves - Valves bloquantes - Válvulas de bloqueo - Flansch Halteventile	<input checked="" type="checkbox"/>	<input checked="" type="checkbox"/>	<input checked="" type="checkbox"/>	<input checked="" type="checkbox"/>

- = Di Serie - Standard - De serie - Standard
- = Opzionale - Optional - Opcion - Opcional - Option
- = Non disponibile - Not Available - Pas Disponible - No disponible - Nicht Verfügbar

